

(Translation of the Original-)

Manual instruction – Convection-oven (No. I)

Article - No.: 06-111



Attention – wear Heat protection gloves!



Attention - Fire risk in the case of unattended use!

Control elements

Thermostat: to control or maintain the desired temperature. Continuously adjustable from 0° - 250° C.

Timer: to adjust the heating time. The scale is split up into minutes. After the timer has run down, the heater automatically turns off. The timer is continuously adjustable from 0 - 120 min.

Indicator lamp: The indicator lamp lights up if the heating element is turned on by the Thermostat. When reaching the adjusted temperature, the indicator lamp goes off.

Installing and Connecting:

- After unpacking the heater, first check it for damage.
- Before the device is connected, compare the dates of its identification plate with those of your local power supply.
- The device is supplied with a connection cable with power plug (German standard).
- The device must be grounded correctly according to the existing electric safety standards.
- Before cleanup or maintenance works the device must be switched off and the power plug has to be pulled.

The manufacturer does not guarantee for damages which might arise from the absence of the grounding of the device.

Function of the heater:

Heating up the materials takes place in a convection oven through a regular air distribution in the oven. The air is circulated through the integrated fan. The perfect air circulation occurs in the heated up stove. From that we recommend to pre-heat the device.

Operation instructions

The heating of the device is turned ON and OFF by the Thermostat. With the Thermostat the desired Temperature can be adjusted. **ATTENTION – In case of continuous operation the surface of the housing also heats up! Always wear heat protective gloves working with the unit.**



Attention – wear Heat protection gloves!

After these steps the integrated fan runs and the heating is turned on. The indicator lamp lights up. If the desired temperature is reached the lamp goes off. Now the materials can be placed into the heater. **Consider unconditional temperature and time guidelines of the manufacturer of the materials employed by you ! Never let material unattendedly in the heater!**



Attention - Fire risk in the case of unattended use!

After the timer has run down, the heater turns off automatically. You can also turn it off before - simply turn the timer up to "0".

Installation:

The device must be grounded, use a three-pin plug. Protect the heater against wetness and against steam! The vent holes must always be free.

Care and maintenance:

It is recommended to carry out a periodic maintenance in order to guarantee the perfect operation of the device.

Before any maintenance operations the device must be switched off and the power plug must be moved from the socket.

1. Let the heater cool down.
2. Clean the device with a slightly moist cloth with a mild, not scrubbing detergent.

Never clean the device under running water and never dive it in liquids.

Technical Details:

Dimensions (inside) WxHxD: 404 x 254 x 308 mm

Dimensions (outside) WxHxD: 527 x 316 x 450 mm

Capacity: 2500 Watt

Electrical connection: 200-230 V / 50-60 Hz / 1 Phase + N + PE

One insertion rust and one insertion tray are supplied.

Wiring Diagram

Installation

Your oven needs to be connected to a plug with earth terminal.

Do not place your oven near dampness or steam sources.

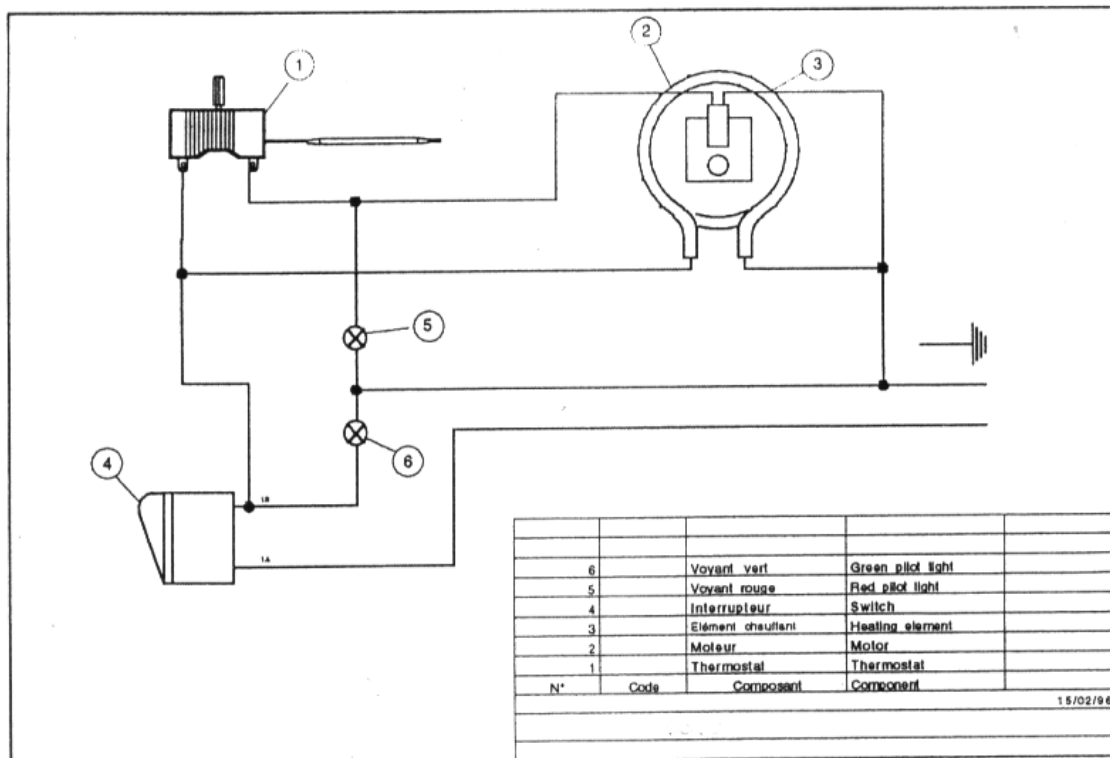
Do keep enough surrounding ventilation around your oven.

Cleaning

Before cleaning, turn your appliance off the mains and let it cool.

Do regularly clean the inside and outside walls with hot water, some washing-up liquid and a non-abrasive sponge. Rinse out with a wet sponge

Do never wash your oven under running water as filtering might damage it.



Declaration of Conformity

for the

Convection oven No. I (Art.no. 06-111)

Peter Witzel
VACUPRESS Apparatebau
Max Keith Str. 66 / D – 45136 Essen


declares as manufacturer and in sole responsibility that the Convection oven No. I complies with the fundamental requirements of the directive 2006/95/EG.

The following additional EU-directives have been applied:
2004/108/EG

The following harmonised standards have been applied:
EN 60204-1, EN 55014, EN 60555-2, EN 60555-3

Name and address of the person who is authorized to assort the technical documents: Hendrik Witzel

VACUPRESS Apparatebau
Peter Witzel


Essen, 01.11.2009

